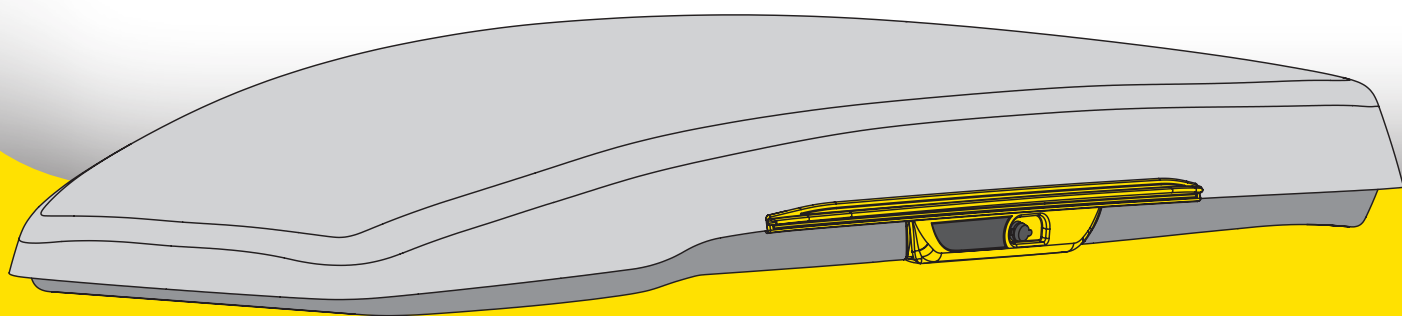


mimSAFE
www.mimsafe.com



INSTALLATION, USER AND SAFETY INSTRUCTIONS

CARRIER
MIMsafe Carrier L
72100

GENERAL

MIMsafe's Carrier roof box is designed to securely carry different types of luggage on the car's roof. The box comprises a double-walled shell and is equipped with the Energy Absorbing TEAS safety system. We have developed this technology to reduce the risk of the roof box becoming detached from the roof in the event of a collision.

Our Carrier roof box is delivered together with the TEAS safety system pre-assembled in the box so as to fit the majority

of car models. In some cases, the TEAS parts may have to be set individually depending on the roof design and car model. The roof box is also fitted with lighting that switches on automatically when the box is opened. The floor of the box is lined with a washable and hard wearing mat that helps to keep the luggage firmly in place. The box is also equipped with load loops developed in conjunction with the TEAS safety system for safe lashing of the cargo.



IMPORTANT

BEFORE YOU BEGIN

- Make sure that the car's crossbars are correctly mounted according to the manufacturer's instructions.
- Carefully read the installation instructions for the roof box.
- Follow the instructions step by step for accurate assembly.
- Get help from a friend. Generally you need to be two when mounting the box on the roof.

RECOMMENDED AREA OF USE

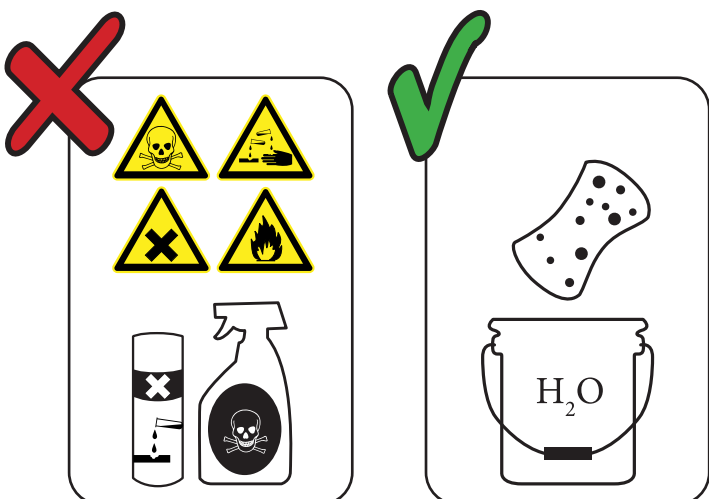
This roof box is designed for mounting on the car's roof, using crossbars recommended by the car manufacturer.

DAILY INSPECTION

- Check that the roof box is securely fastened according to the installation instructions.
- Inspect the box for visible damage and ensure that the roof box is intact.
- Check that the locking mechanism and lighting work satisfactorily.

CLEANING

Use a soft cloth with water and mild soap. To ensure long service life, vacuum clean the box if necessary.



CRASH TEST

This roof box is crash-tested at a crash pulse in accordance with ECE R17, with a load of 26g, as required by the United Nations for approval of automotive seats, anchorages and head restraints. The test is performed with a payload of 75 kg /165 lb at a speed of 50 km/h (31 mph).

Test results are available from the manufacturer upon request.

The story of MIMsafe

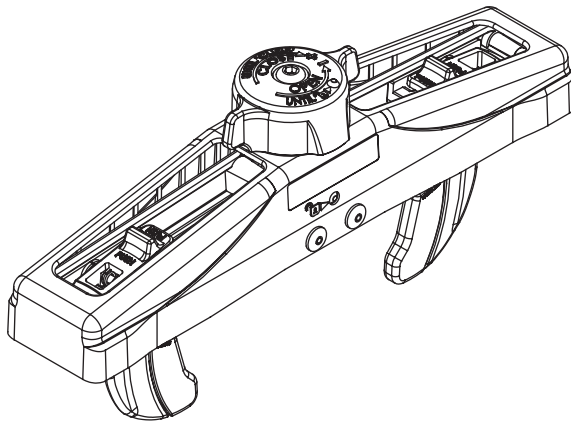
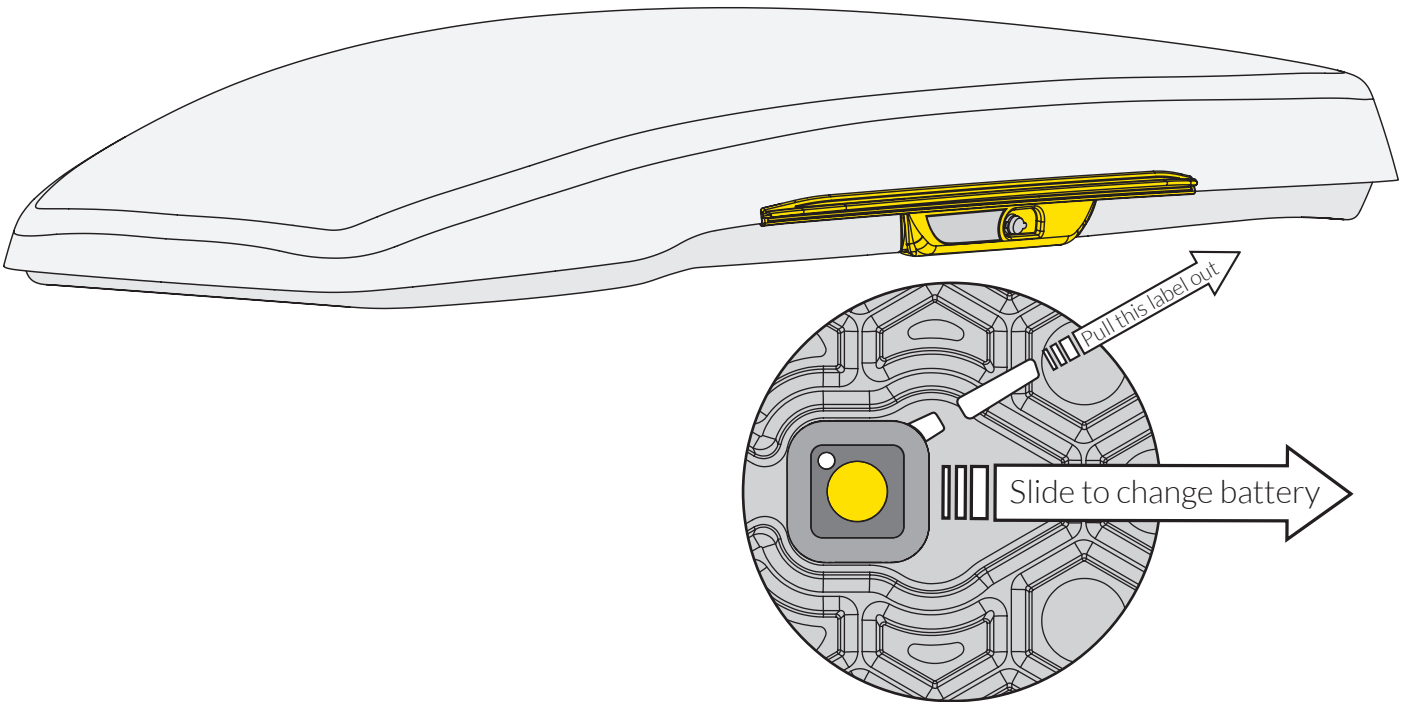
For more than 35 years, MIMsafe has worked with functional design and manufacturing of safety products for the modern automotive industry. Building on our wealth of experience, with documentation from hundreds of crash tests and in close collaboration with the major car manufacturers, we have developed safe products. Under the well-known brand name MIMsafe, we have grown to become the leading manufacturer of crash tested and crush proofed non-whiplash dog cages all over the world.

You will find our innovative world-leading products in many markets. MIMclip is a safety system used in equestrian sports that prevents rotational falls that can seriously injure horses and riders in field competition. MIMsafe dog cages with brands such as VarioCage, VarioGate, VarioBarrier, MultiCage and Care² have all become world-leading products that save lives and are all crash-tested in ECE R17. With the introduction of our Carrier roof box, we are further expanding the product range and creating safe means of transport for cargo on car roofs.

MANUFACTURER

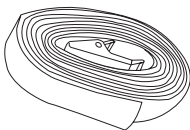
MIM Construction AB +46 10 55 00 450
Kardanvägen 80 info@mimsafe.com
461 38 Trollhättan www.mimsafe.com
Sweden

PARTS INCLUDED

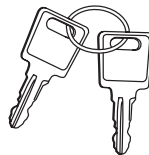


QUICK GRIP
4X
Art.no. 70114

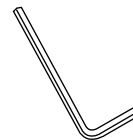
RATCHET STRAPS
4X



LOCK KEYS
2X



ALLEN KEY 4
1X



RECOMMENDED TOOLS (not included)



PEN



MEASURING TAPE

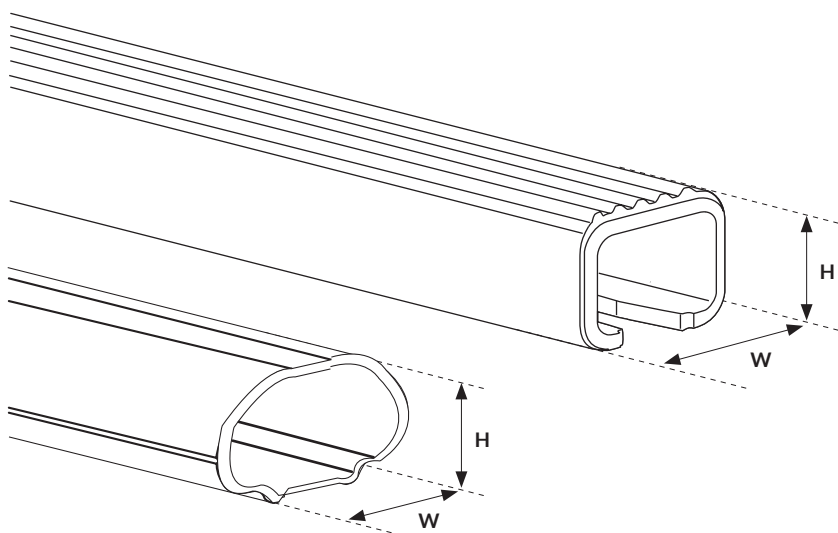
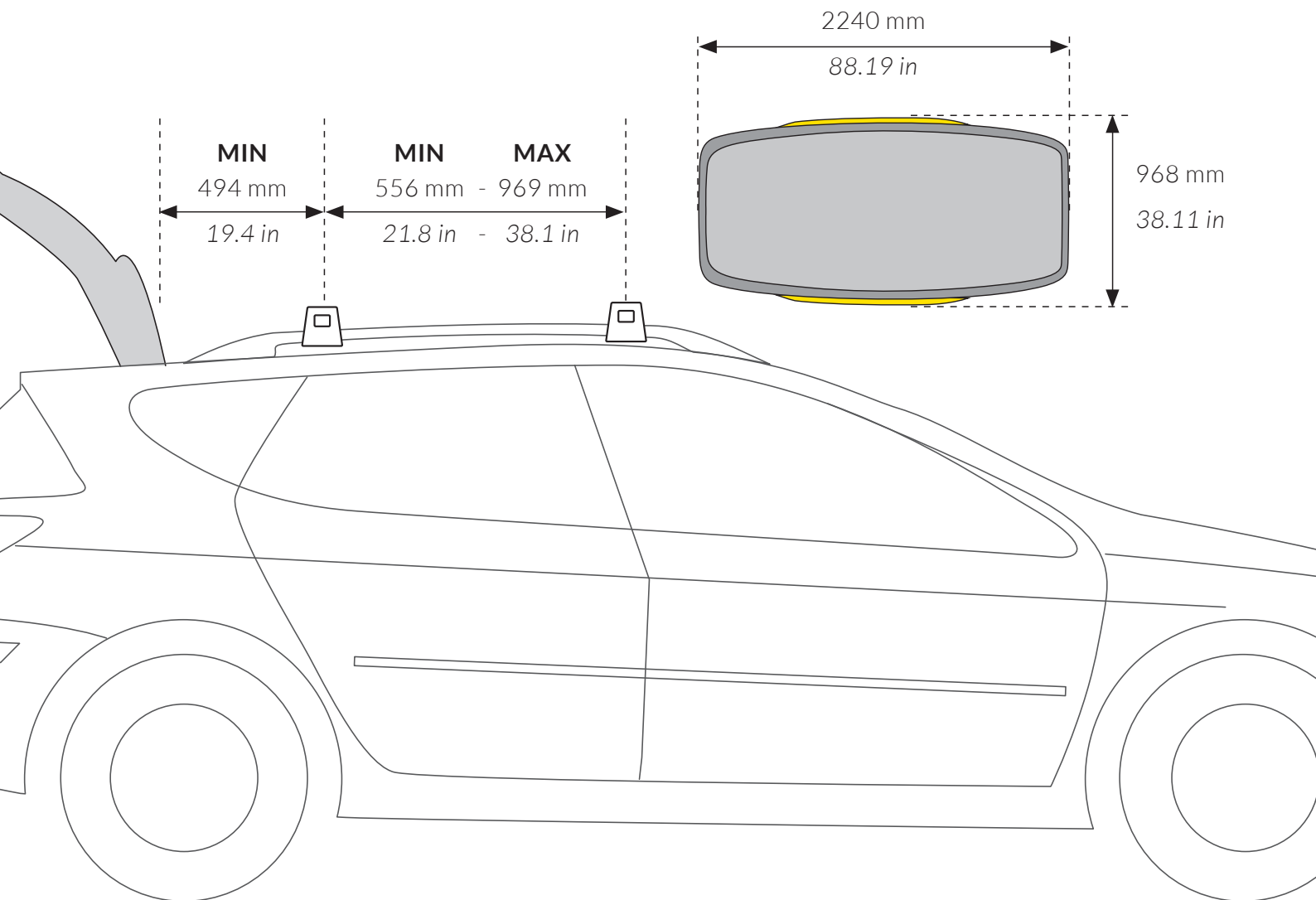
PEOPLE NEEDED



TWO PERSONS

STEP
1

CHECK ALL THESE MEASUREMENTS

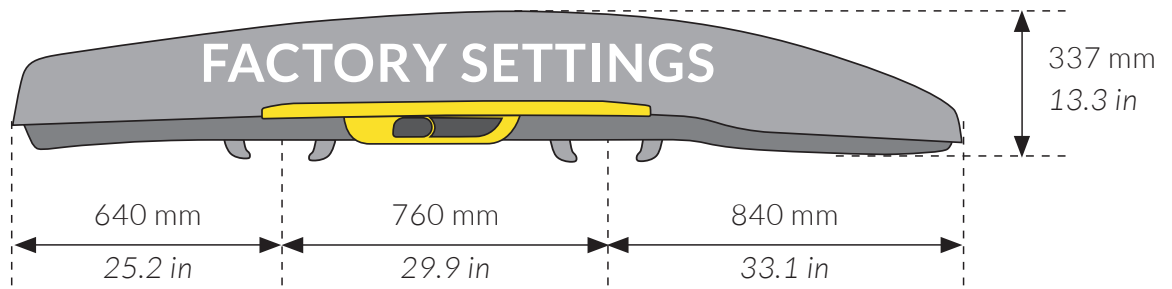


W	
MIN	MAX
25 mm	95 mm
1 in	3.74 in

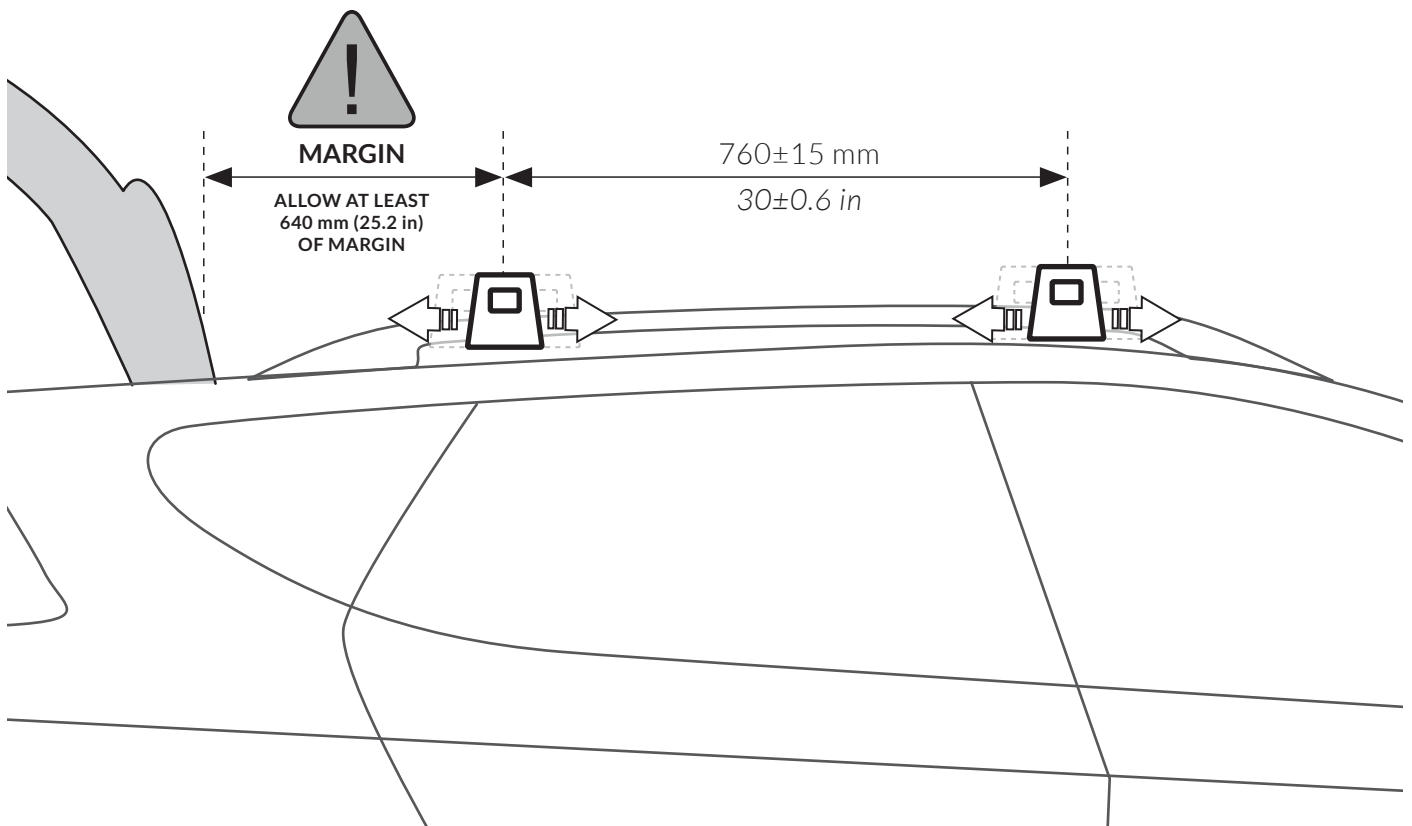
H	
MIN	MAX
15 mm	30 mm
0.6 in	1.18 in

STEP
2

INSTALL CROSSBARS FOR BOX WITH **FACTORY SETTINGS**



INSTALL AND/OR ADJUST THE CROSSBARS



Go to

STEP
4

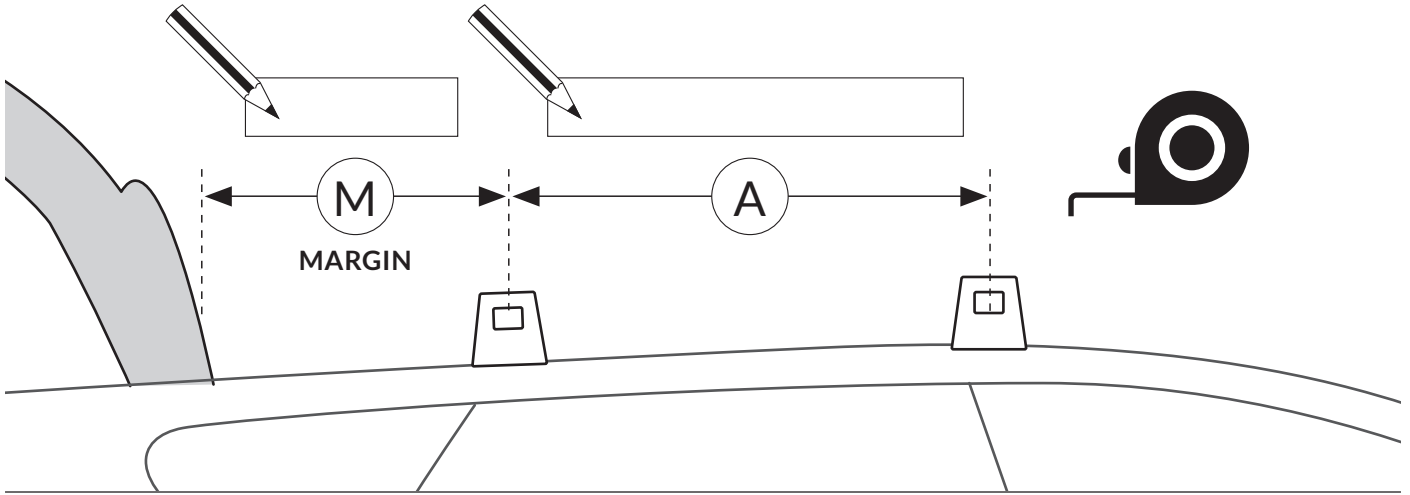
Need to adjust the box/crossbars?
Go to

STEP
3

STEP
3a

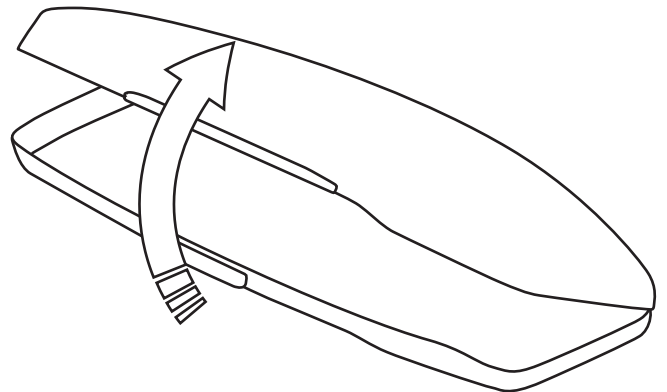
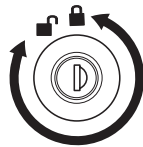
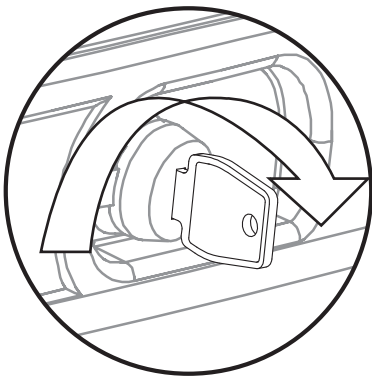
FOR CUSTOM INSTALLATION

— MEASURE THE DISTANCES BELOW AND WRITE THEM DOWN IN THE BLANKS —



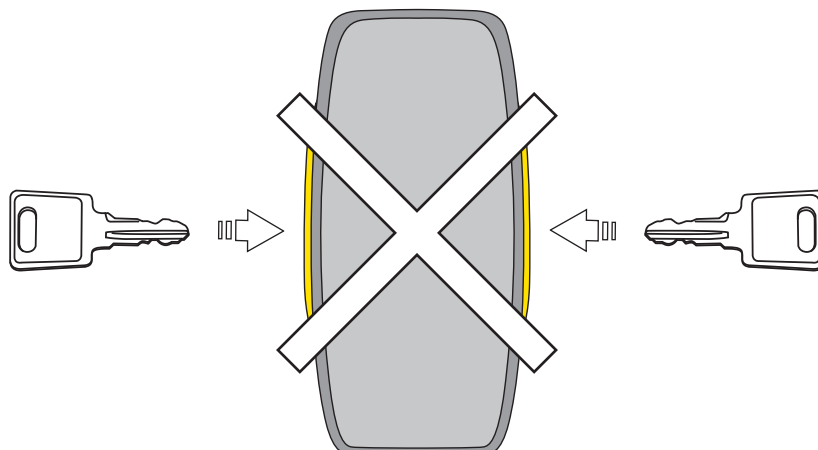
STEP
3b

OPEN THE CARRIER



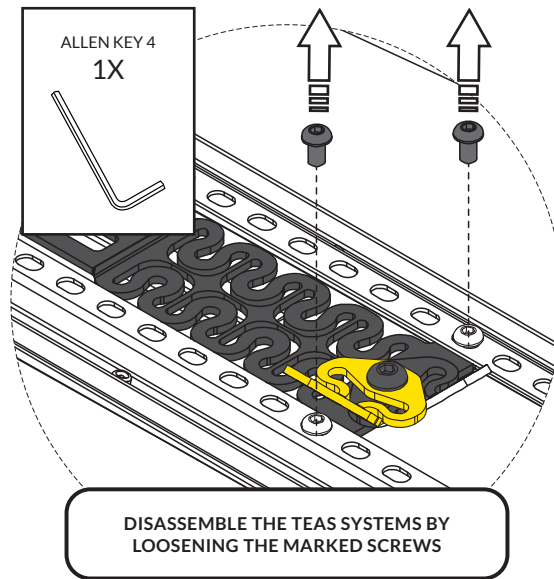
IMPORTANT

NEVER OPEN BOTH SIDES OF THE CARRIER AT THE SAME TIME.



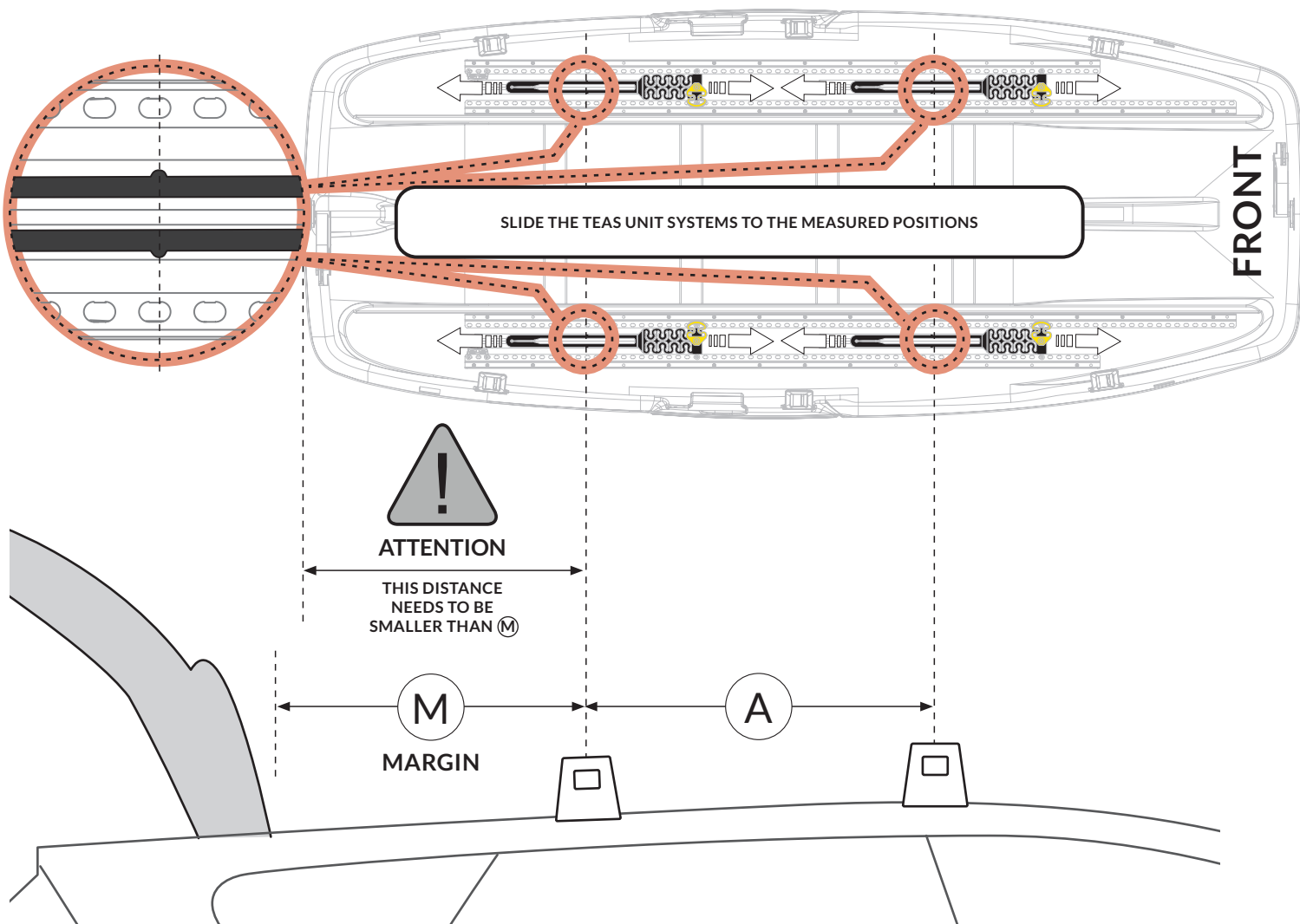
STEP
3c

DISASSEMBLE THE TEAS SYSTEM UNITS



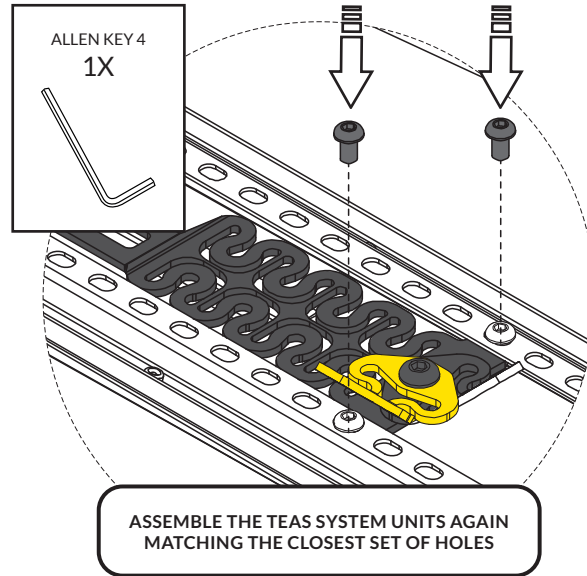
STEP
3d

ADJUST THE TEAS SYSTEM UNITS TO YOUR EARLIER MEASUREMENTS



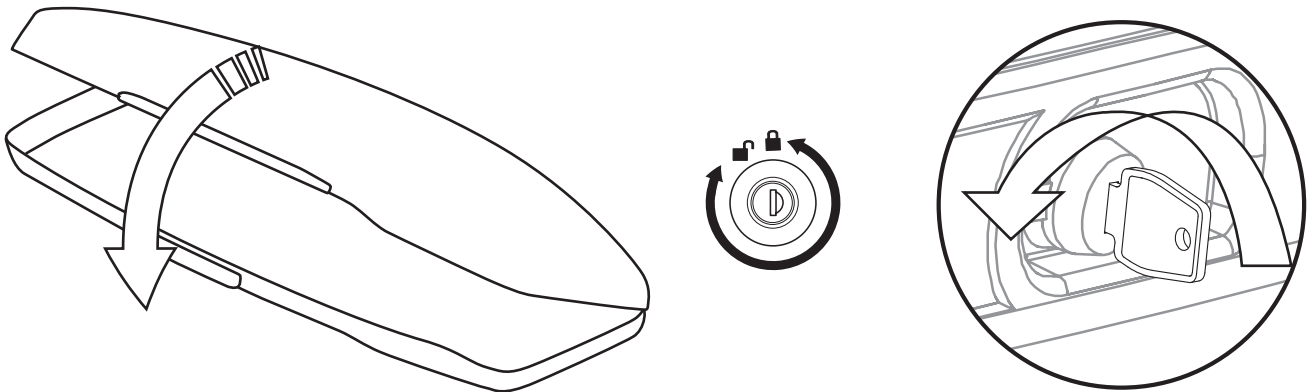
STEP
3e

REASSEMBLE THE TEAS SYSTEM UNITS



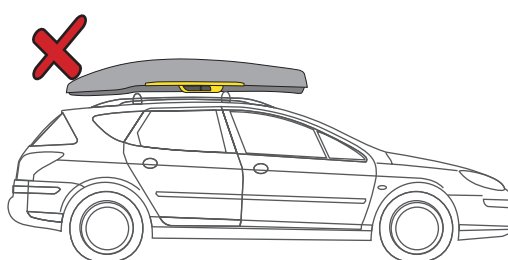
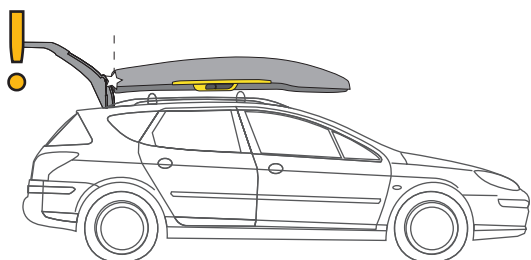
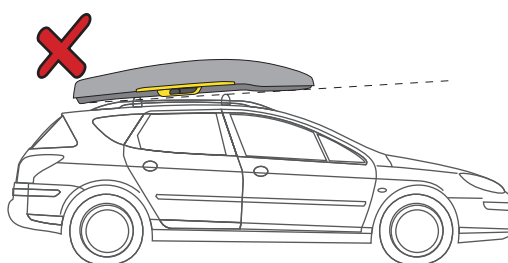
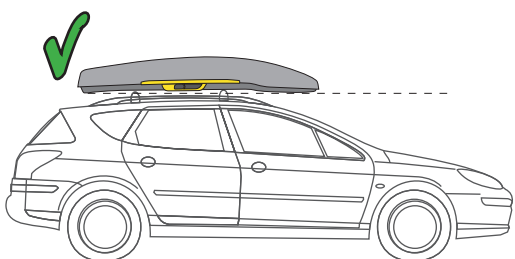
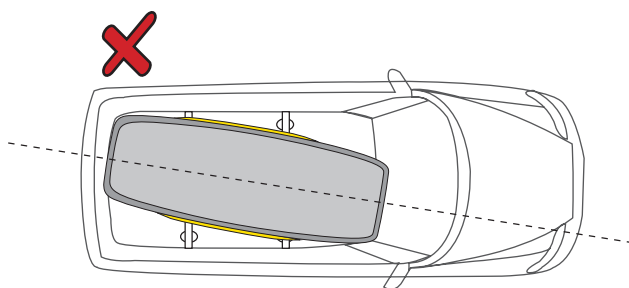
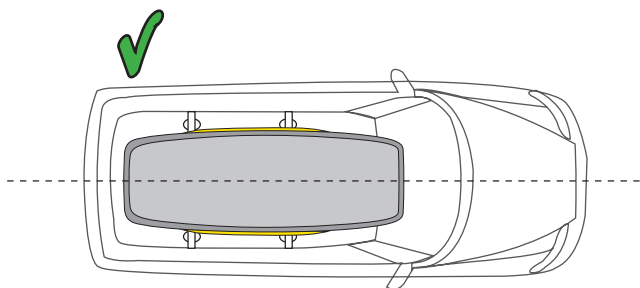
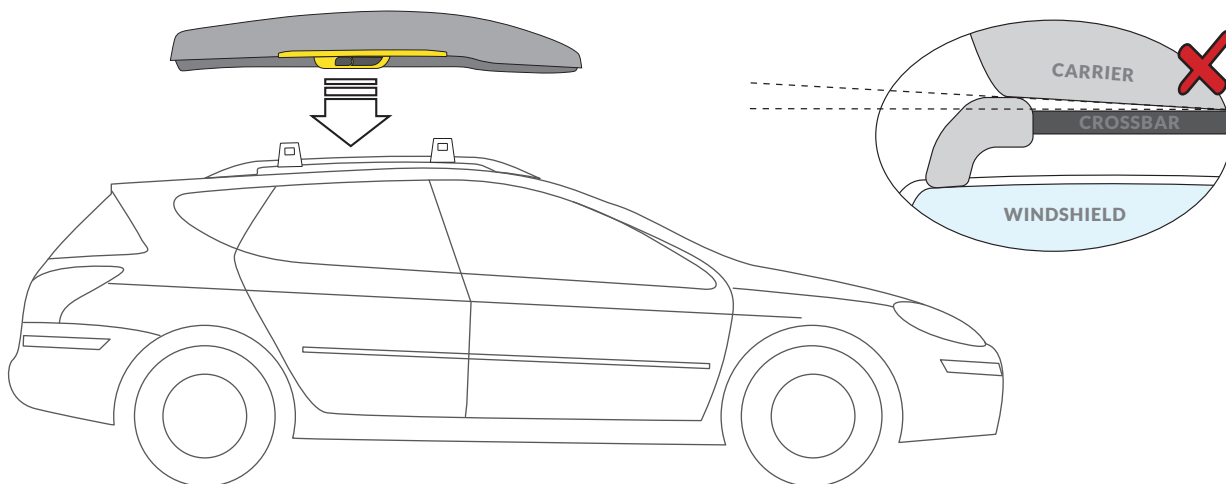
STEP
3f

CLOSE THE CARRIER

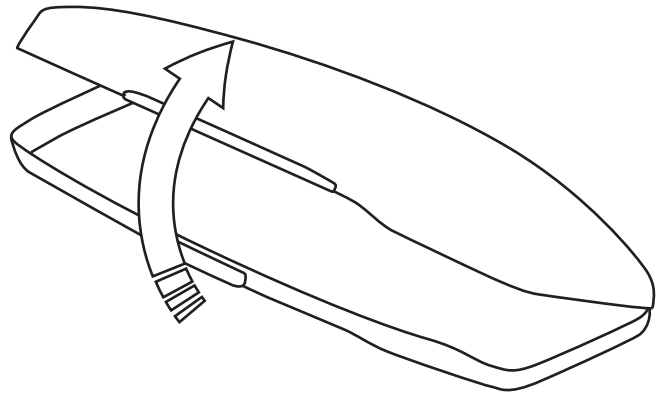
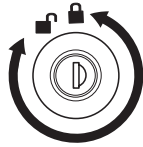
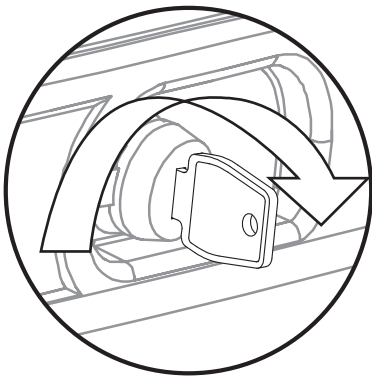


STEP
4

PLACE AND CENTER THE CARRIER ONTO THE CROSSBARS

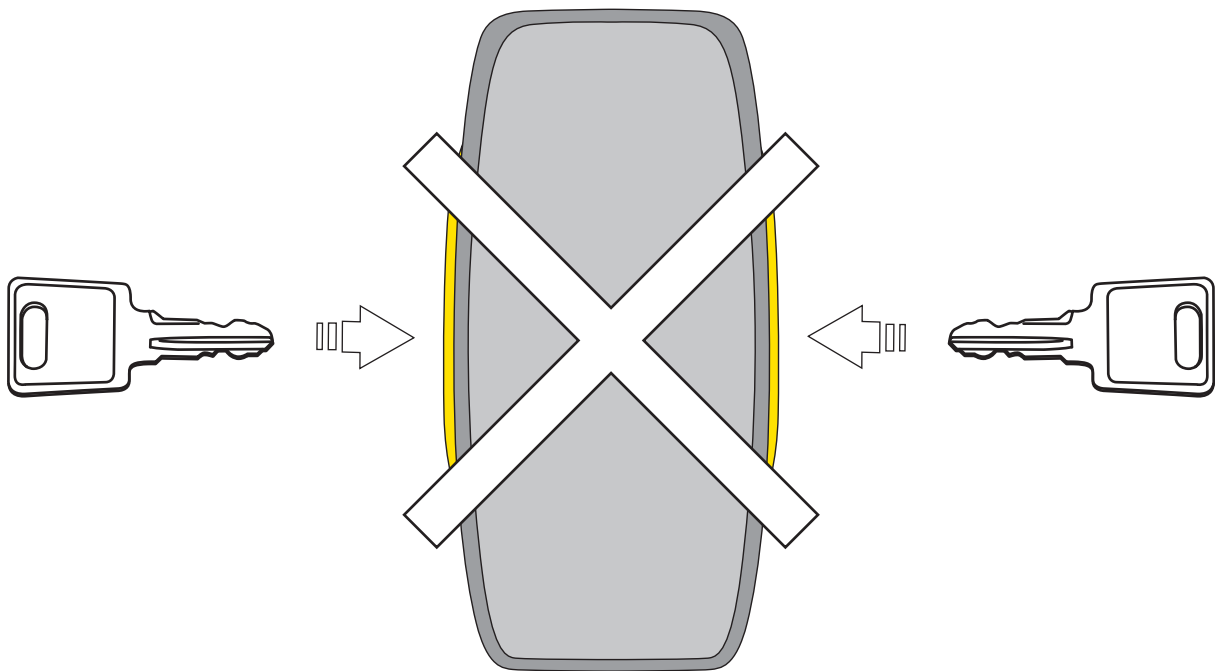


OPEN THE CARRIER



IMPORTANT

NEVER OPEN BOTH SIDES OF THE CARRIER AT THE SAME TIME.



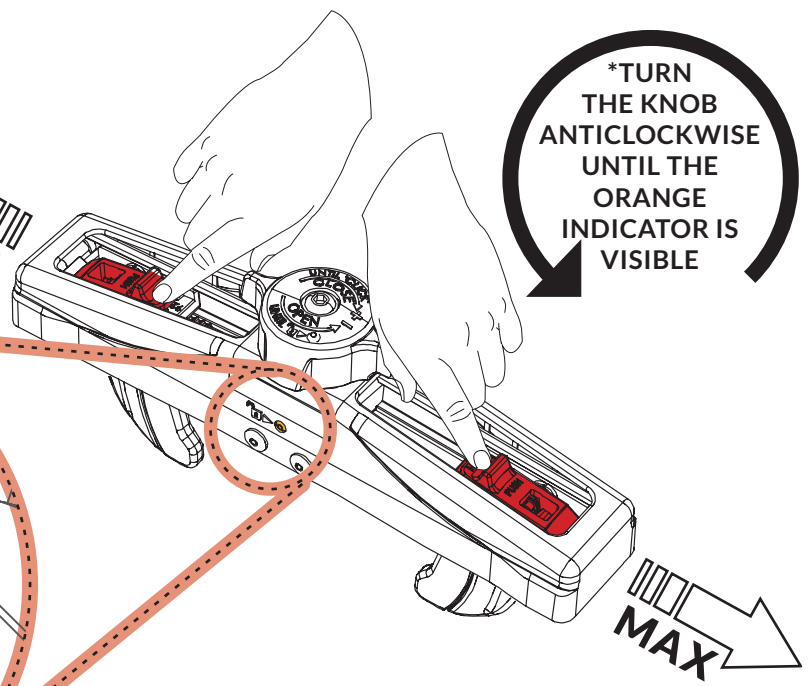
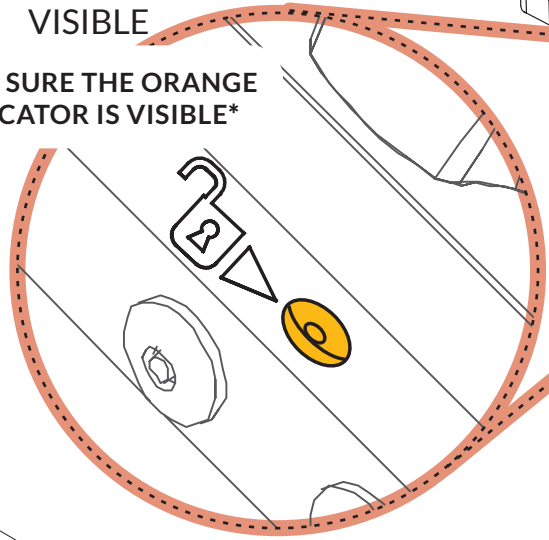
STEP
6

SPREAD THE QUICK GRIP'S CLAWS TO THEIR MAXIMUM DISTANCE



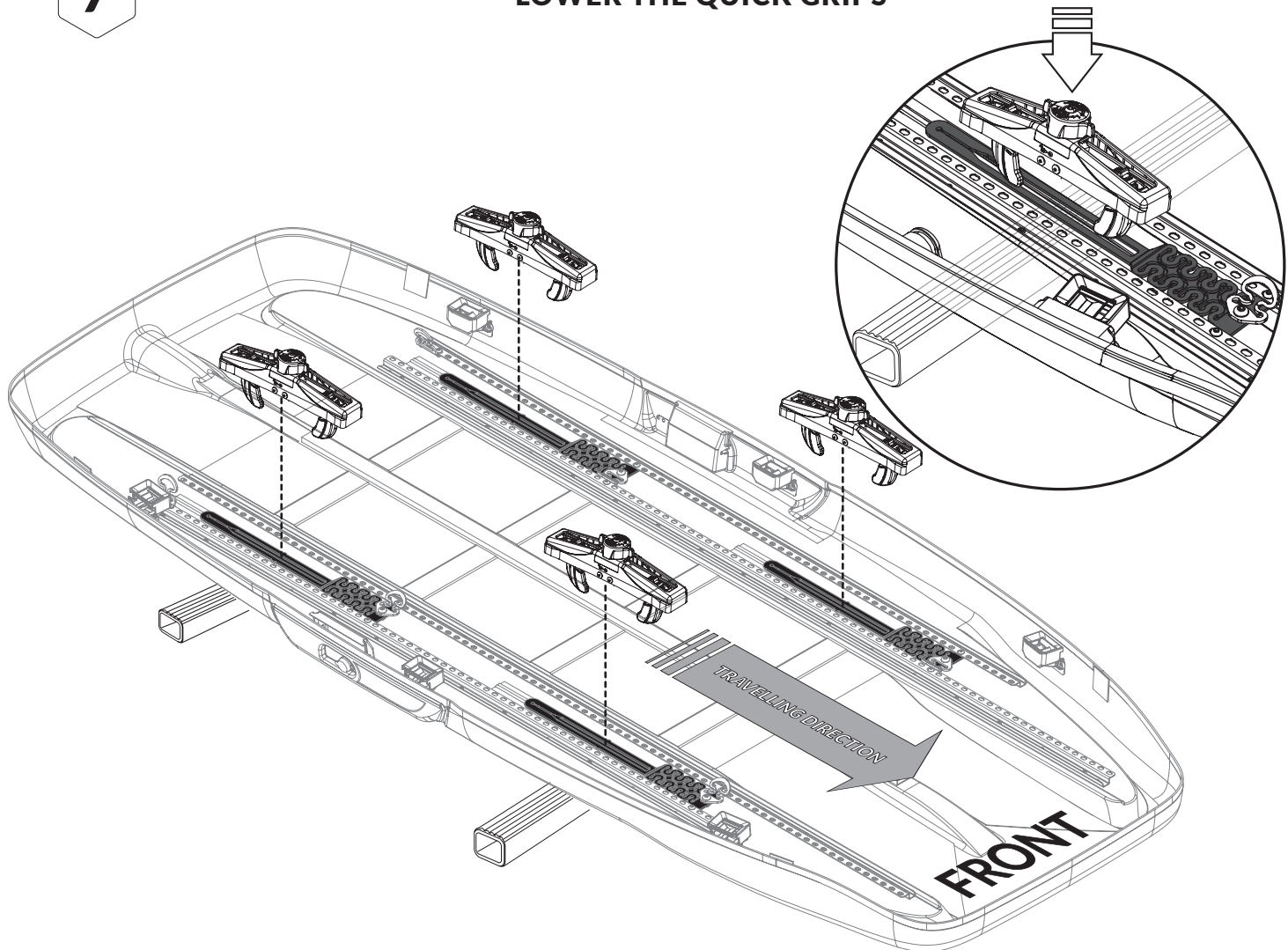
VISIBLE

MAKE SURE THE ORANGE INDICATOR IS VISIBLE*

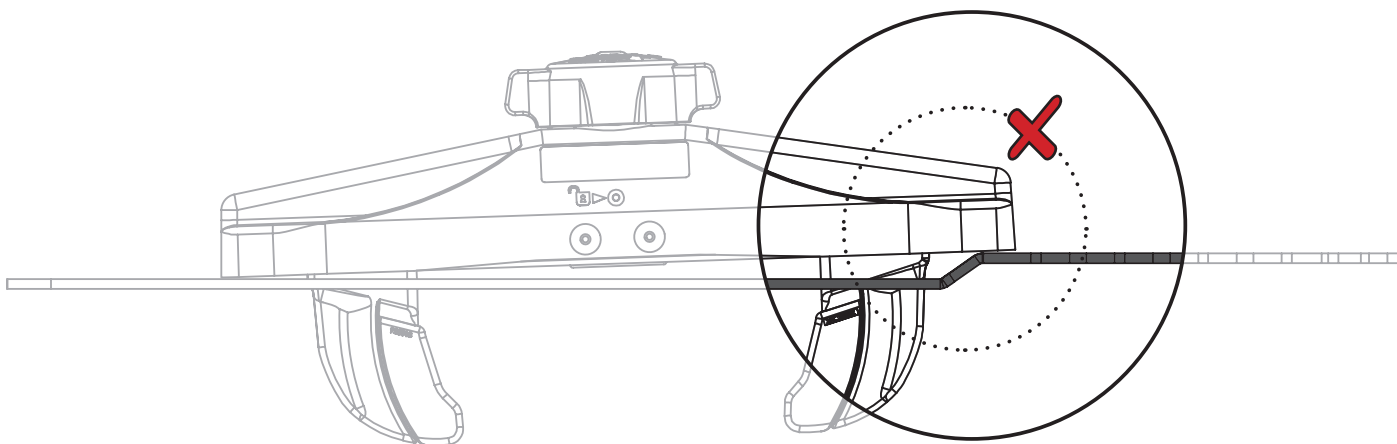
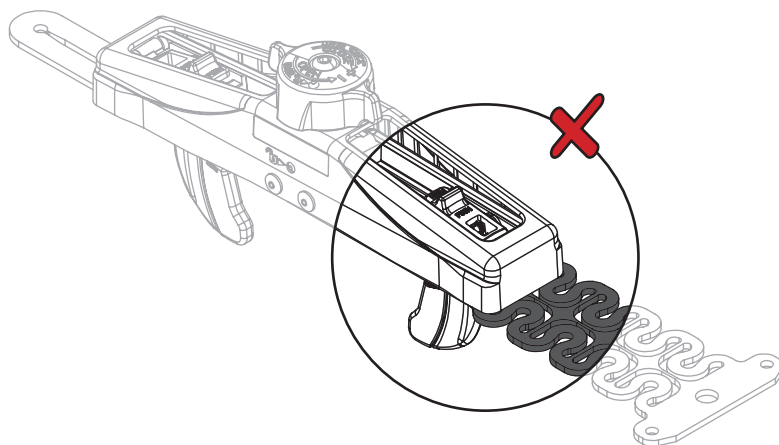
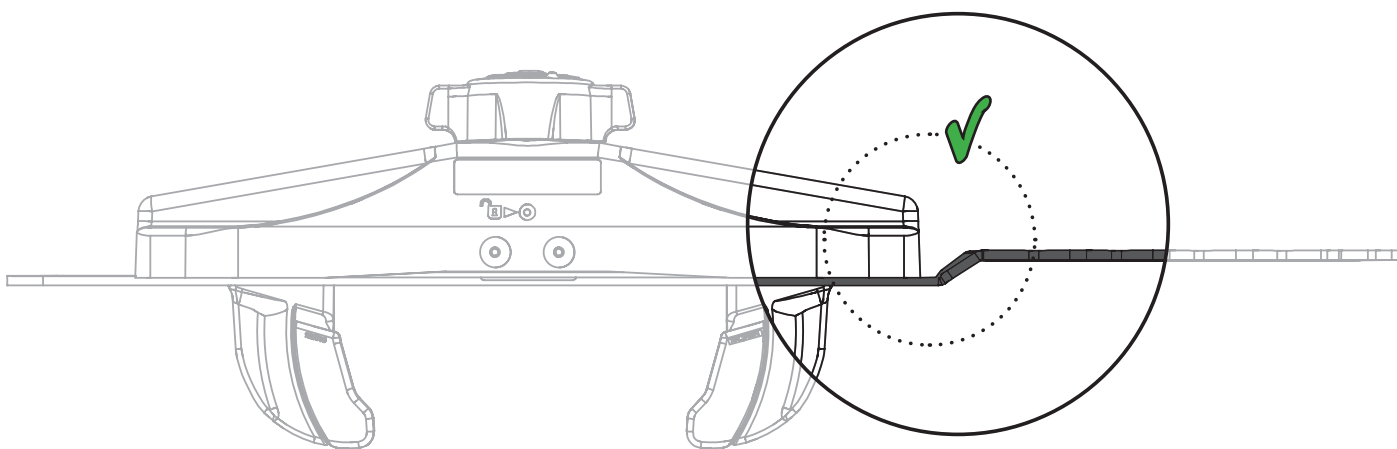
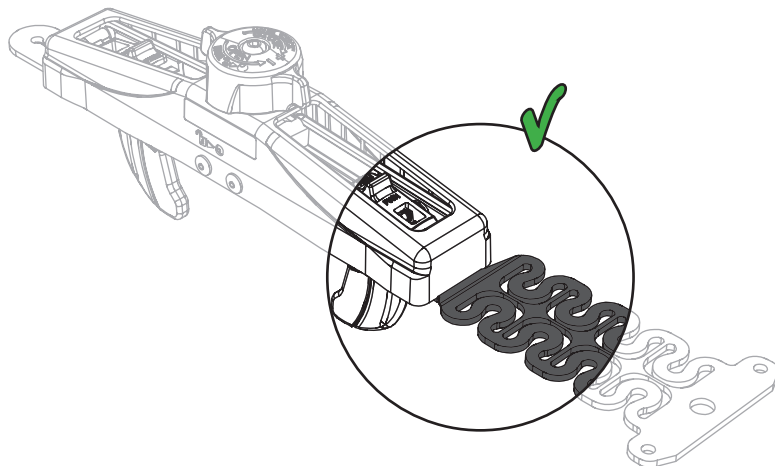


STEP
7

LOWER THE QUICK GRIPS

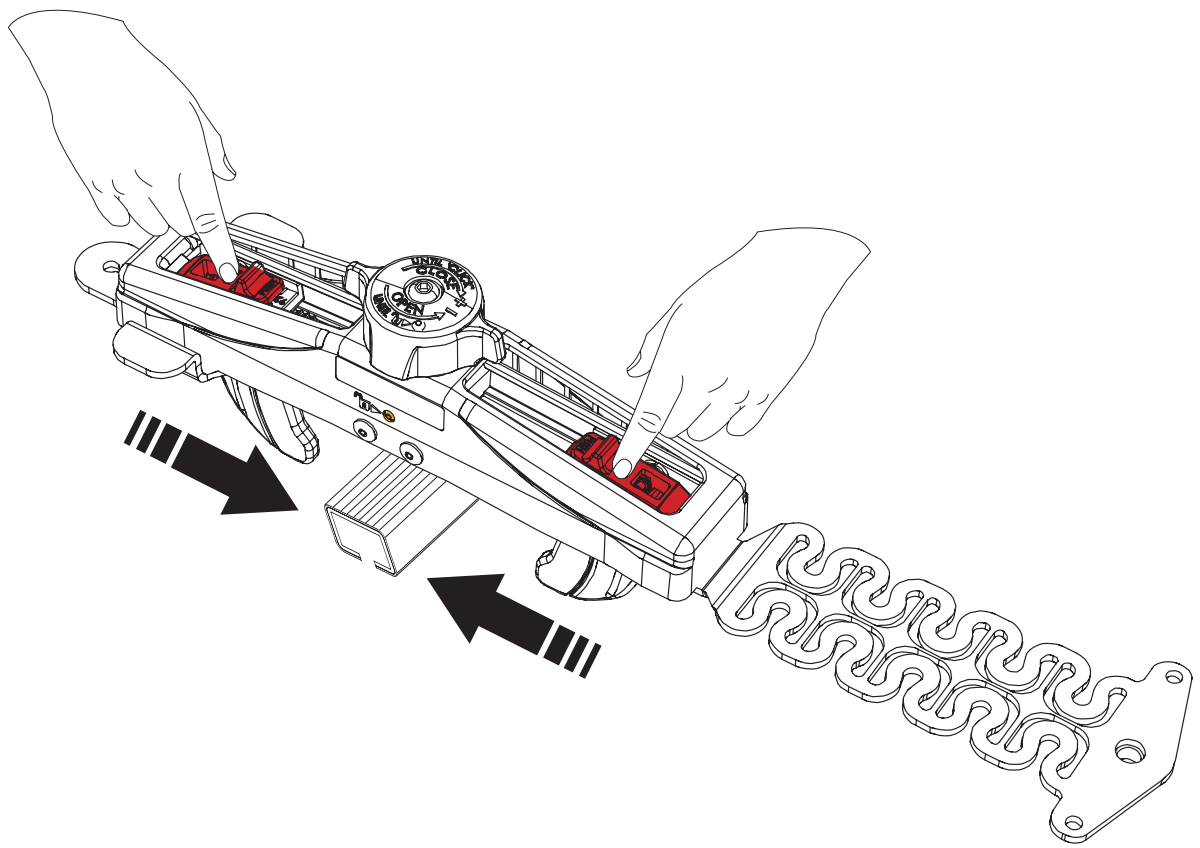


CHECK THE QUICK GRIP'S POSITIONS



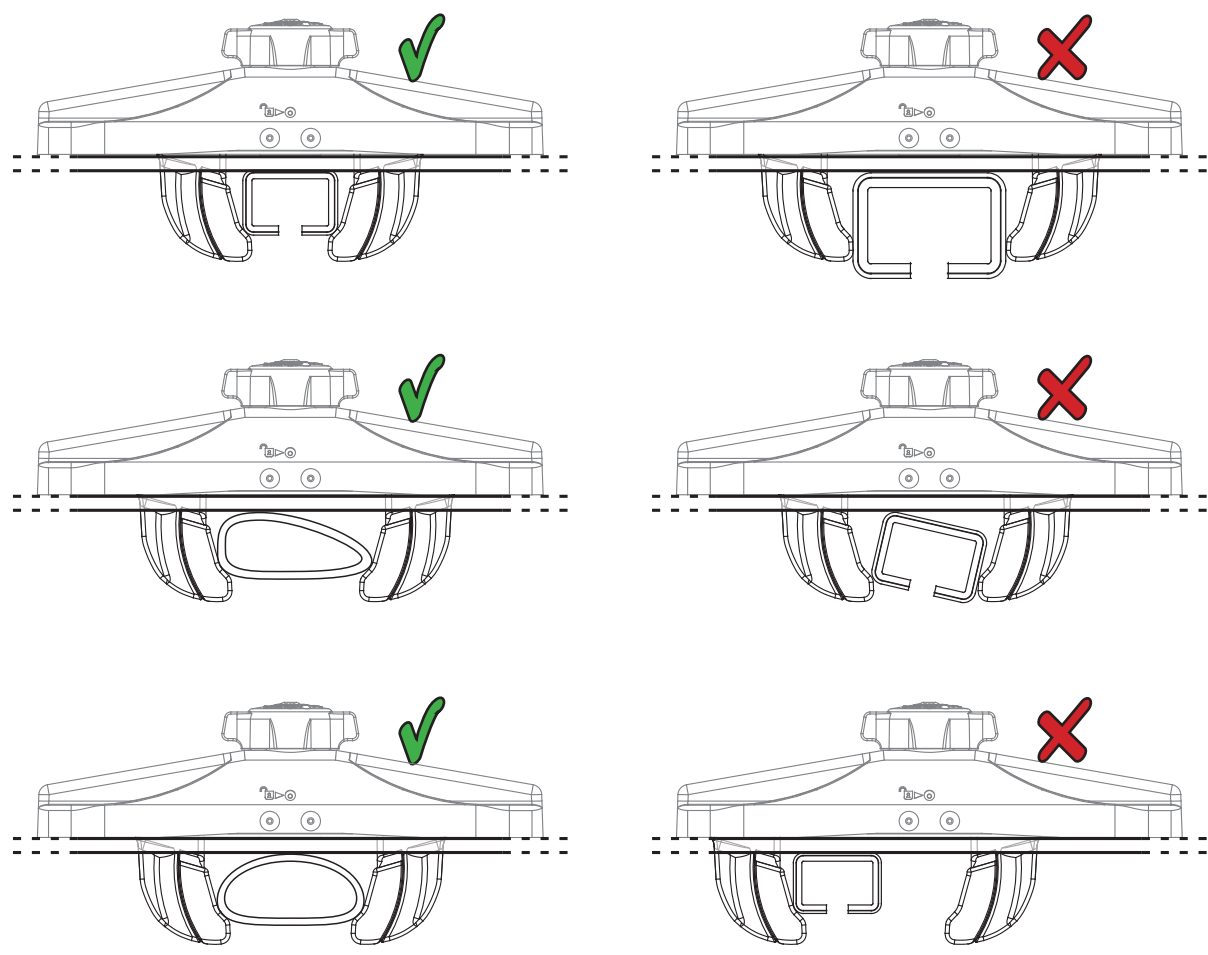
STEP
8

AFFIX THE QUICK GRIP'S CLAWS TO THE CROSSBARS



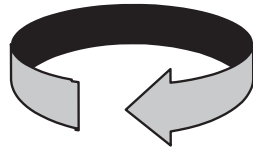
STEP
9

MAKE SURE THE CLAWS ARE CORRECTLY CLAMPED TO THE CROSSBARS

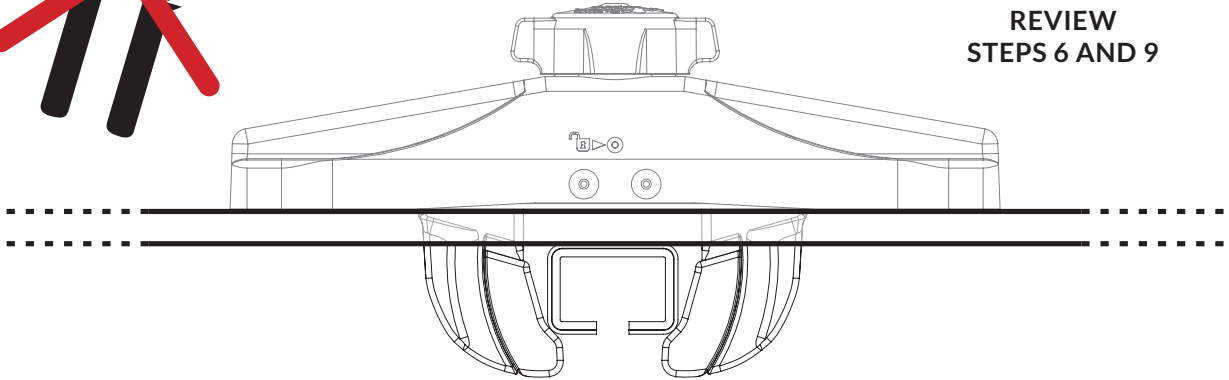


STEP
10

LOCK BY ROTATING THE KNOB UNTIL YOU HEAR A "CLICK"

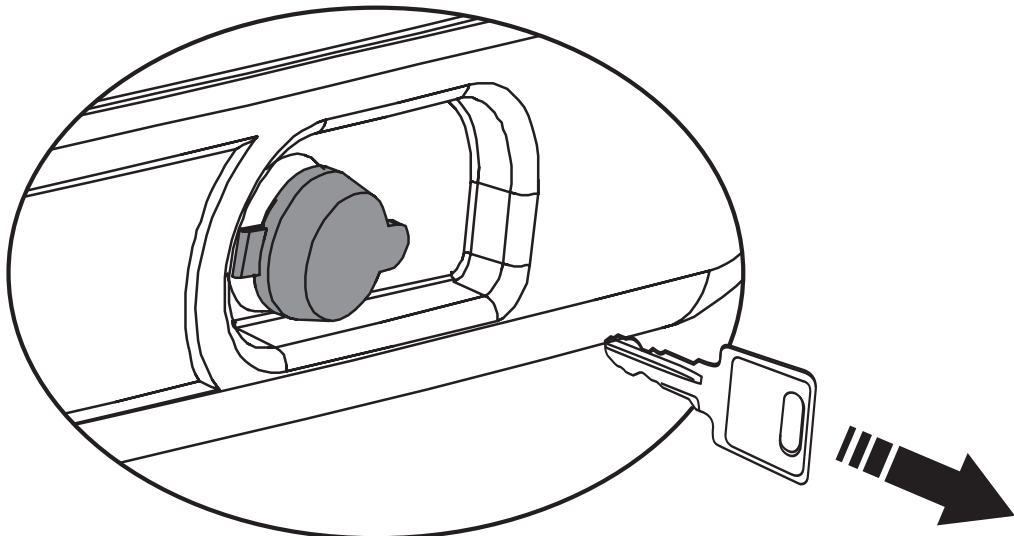
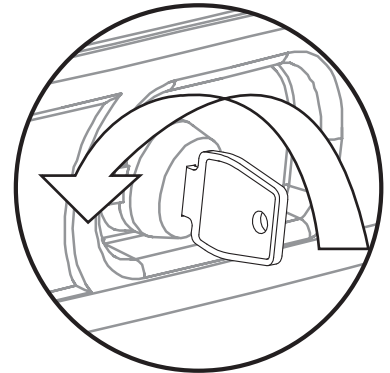
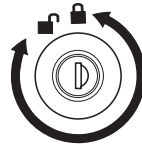
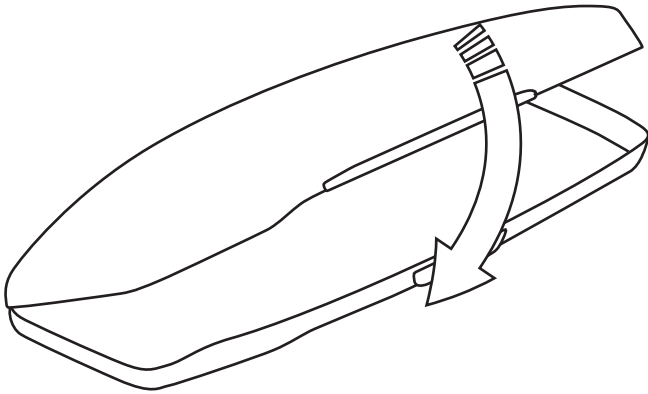


NO CLICK?
REVIEW
STEPS 6 AND 9

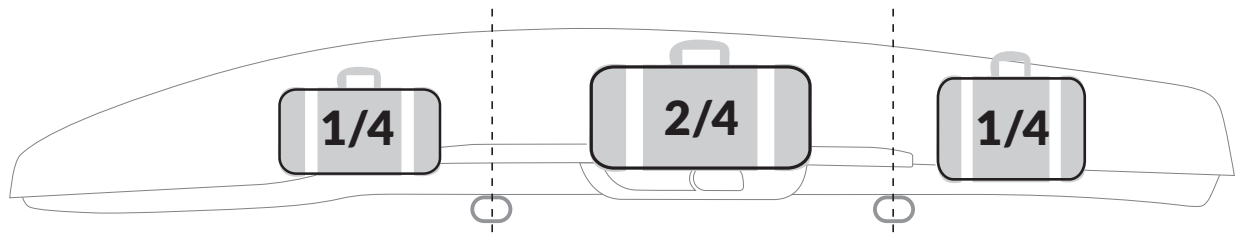


STEP
11

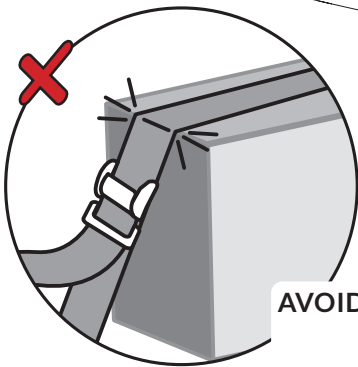
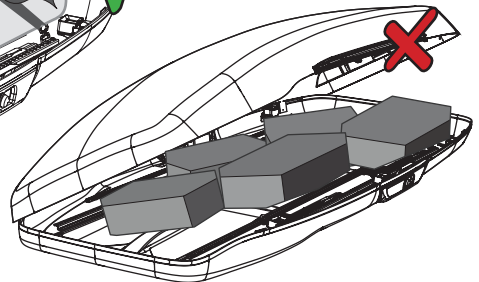
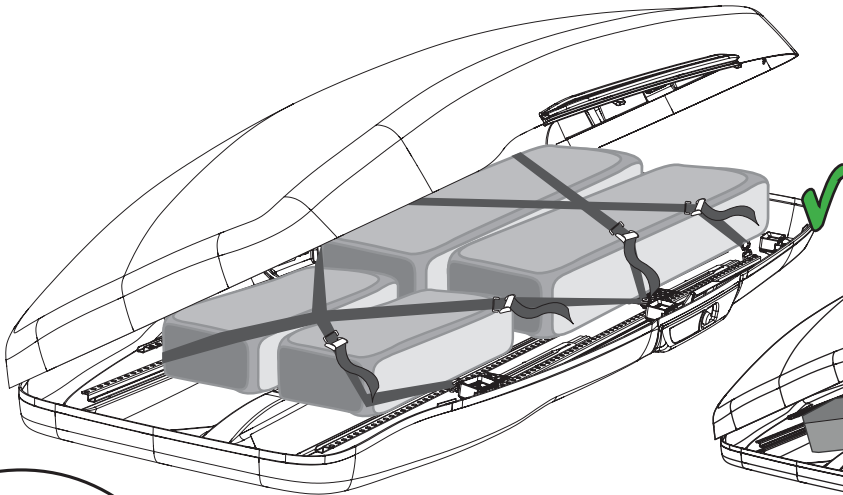
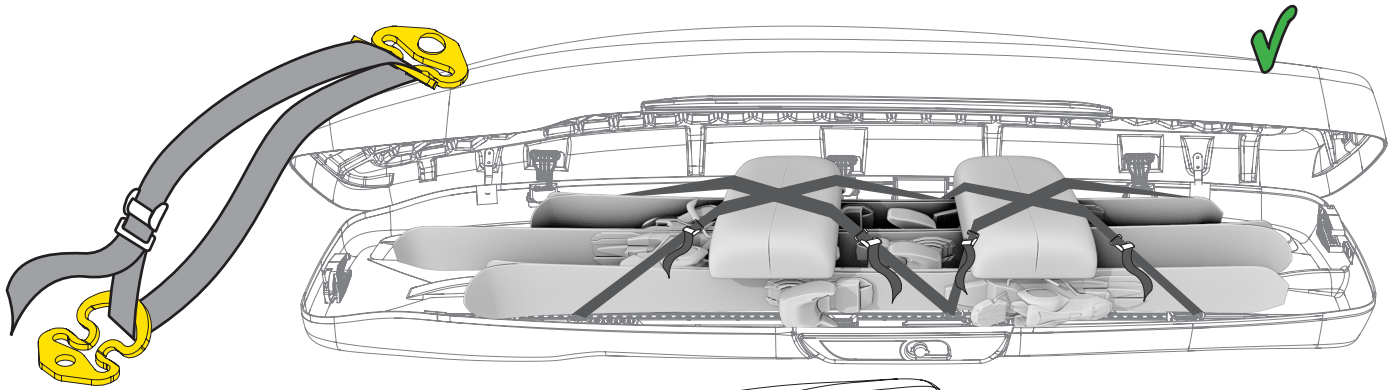
CLOSE THE ROOF BOX AND COVER THE LOCK



DISTRIBUTE THE LOAD AS ILLUSTRATED



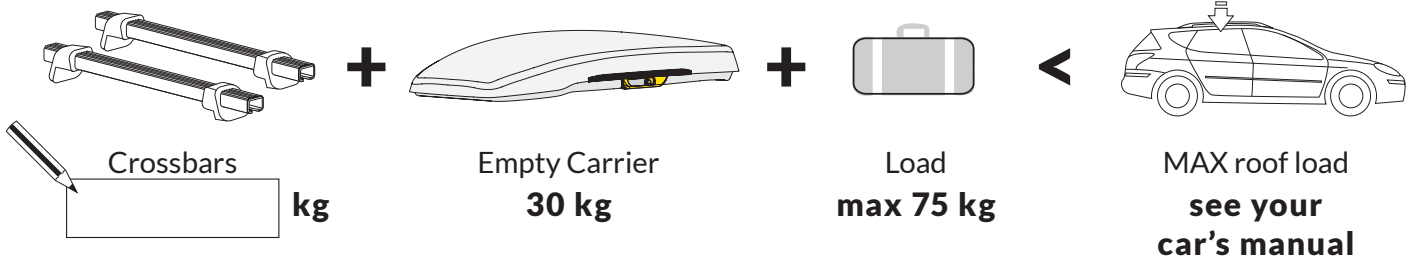
FASTEN ALL THE LOAD USING THE HOOKS (YELLOW) AND STRAPS INCLUDED



IMPORTANT

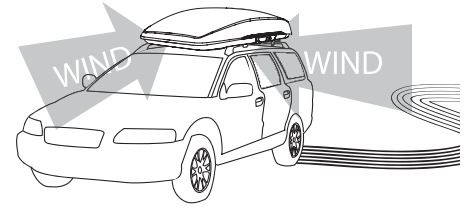
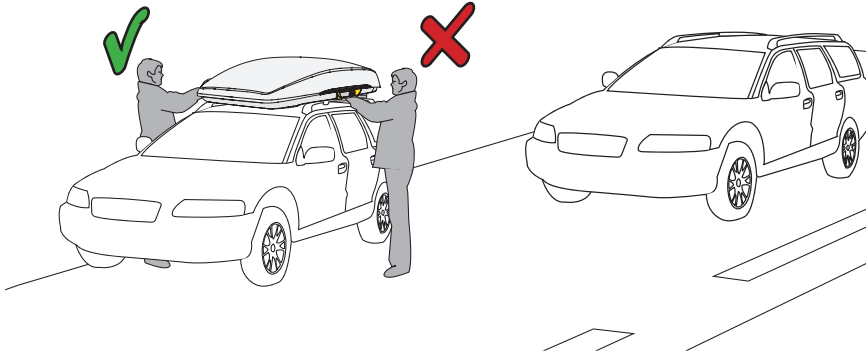
AVOID STRAPPING AROUND SHARP EDGES

THE MAXIMUM PAY LOAD FOR THE ROOF BOX IS 75 kg.
 However, the added weight of the crossbars, Carrier and the pay load may not exceed the maximum allowed roof load for your car.

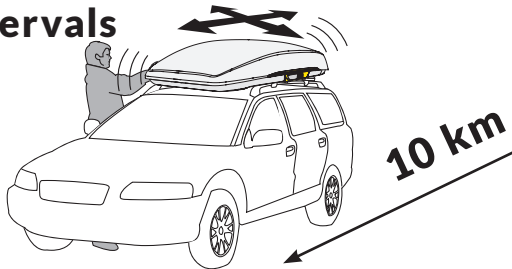


SAFETY

Take into account the effect the load may have on the way your car handles.

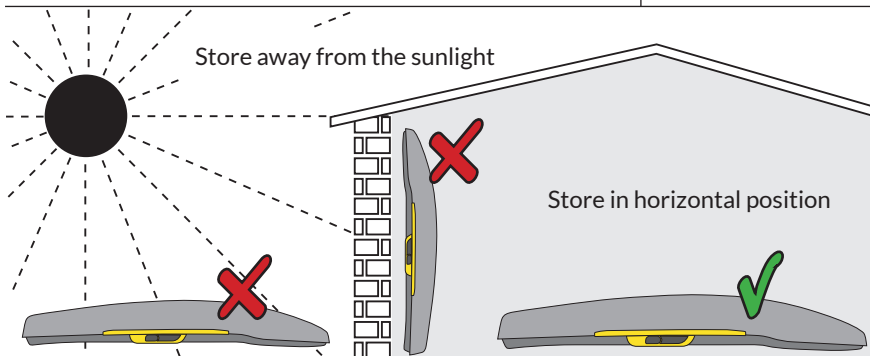
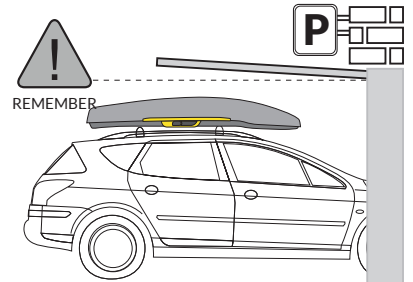
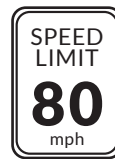
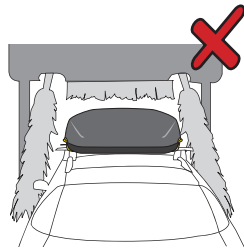
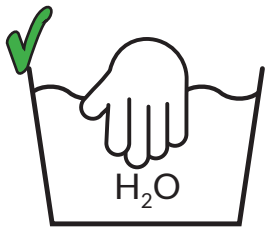


500 km intervals

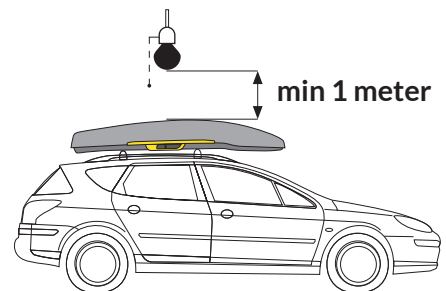


CHECK

- Check that all Quick Grips, TEAS system units and load loops, are firmly mounted after installation.
- Repeat after first 10 km and then in 500 km intervals.
- Store the quick-grips in a clean environment when not in use.
- Check for dirt before use.



Don't expose to direct heat sources



- The roof box is water resistant, i.e. not completely waterproof.
- Be aware of the difference in height of the car with roof box mounted.
- Before you start driving, check that the box is properly closed, locked and the key is removed.
- If you put the car through an automatic carwash remove the roof box from the car.
- Please note that wind noise may occur when driving with a roof box mounted on the car.
- The roof box must always be kept in lying flat when not in use.
- Keep your manual together with the car's instruction manual.
- Installation and handling that deviate from this manual will render the warranty void and can cause damage to the car and the surrounding environment.
- Tighten all the screws and fasteners at the end of the installation, even the ones used with the TEAS system units.
- All the loads have to be secured and correctly fastened with the straps.